



US00D438983S

(12) **United States Design Patent**  
**Stein**

(10) **Patent No.:** **US D438,983 S**

(45) **Date of Patent:** **\*\* Mar. 13, 2001**

- (54) **EYE WASH STATION**
- (75) **Inventor:** **Matthew Isaac Stein**, Truckee, CA (US)
- (73) **Assignee:** **Bradley Corporation**, Menomonee Falls, WI (US)
- (\*\*) **Term:** **14 Years**

4,881,283	11/1989	Liautaud .	
4,939,800	7/1990	Fiorentino et al. .	
5,157,798	10/1992	Van Kammen .	
5,170,518	* 12/1992	Warriner .....	4/620
5,216,765	6/1993	Paterson et al. .	
5,320,615	6/1994	Van Keuren .	
5,381,567	1/1995	Tanner et al. .	
5,530,972	7/1996	Tanner .	
5,566,406	10/1996	Demeny et al. .	
5,607,410	3/1997	Branch .	

- (21) **Appl. No.:** **29/096,535**
- (22) **Filed:** **Nov. 13, 1998**

\* cited by examiner

*Primary Examiner*—Stella Reid  
(74) *Attorney, Agent, or Firm*—Foley & Lardner

- (51) **LOC (7) Cl.** ..... **24-01**
- (52) **U.S. Cl.** ..... **D24/232**
- (58) **Field of Search** ..... D23/270; 4/620, 4/615, 619, 624, 638; D24/108, 232

(57) **CLAIM**

I claim the ornamental design for an eye wash station, as shown and described.

(56) **References Cited**

**DESCRIPTION**

**U.S. PATENT DOCUMENTS**

D. 342,309	12/1993	Paterson et al. .
2,910,064	10/1959	Brangaitis .
2,999,249	9/1961	Logan et al. .
3,106,722	10/1963	Logan et al. .
4,012,798	3/1977	Liautaud .
4,363,146	12/1982	Liautaud .
4,493,119	1/1985	Baumann .
4,641,384	2/1987	Landsberger et al. .
4,675,924	6/1987	Allison et al. .
4,688,276	8/1987	Allison et al. .
4,758,237	7/1988	Sacks .

FIG. 1 is a perspective view of an eye wash station, showing my new design;  
FIG. 2 is a front elevation view thereof;  
FIG. 3 is a rear elevation view thereof;  
FIG. 4 is a left side elevation view thereof, the right side elevation view being a mirror image of the left;  
FIG. 5 is a top plan view thereof; and,  
FIG. 6 is a bottom plan view thereof.  
The broken line disclosure is for illustrative purposes only and forms no part of the claimed design.

**1 Claim, 4 Drawing Sheets**

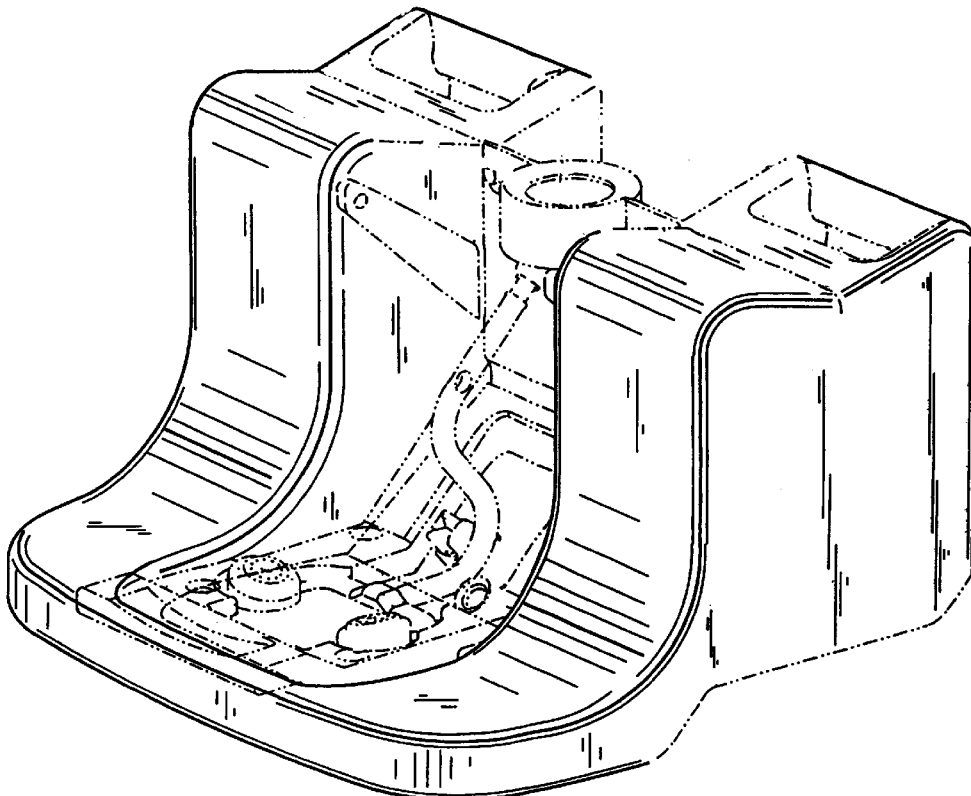


FIG. 1

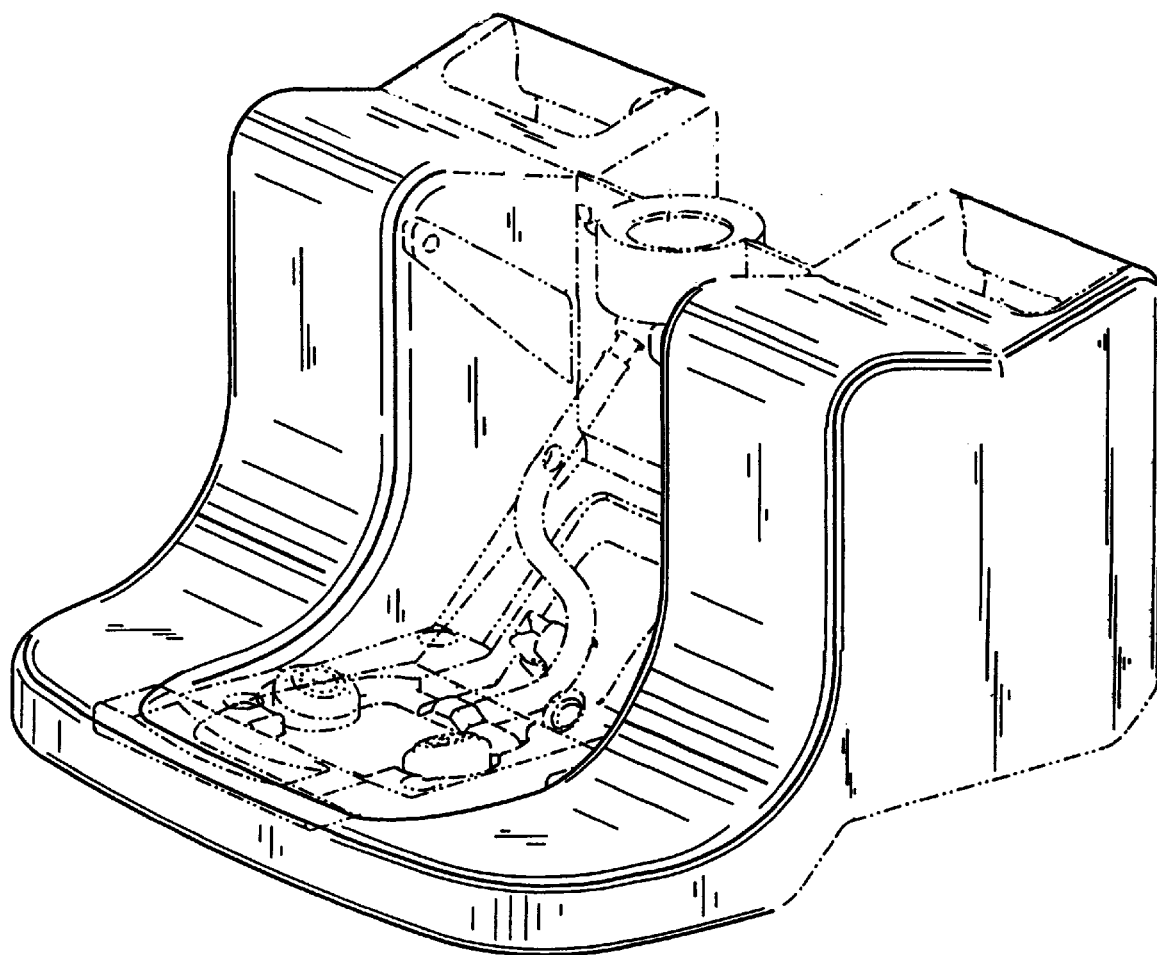


FIG. 2

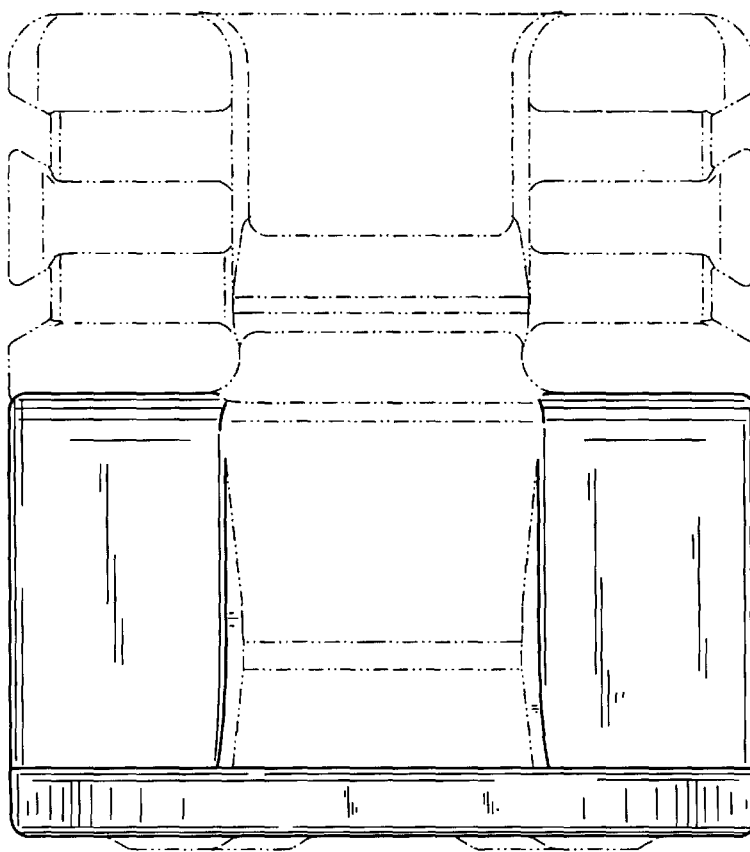


FIG. 3

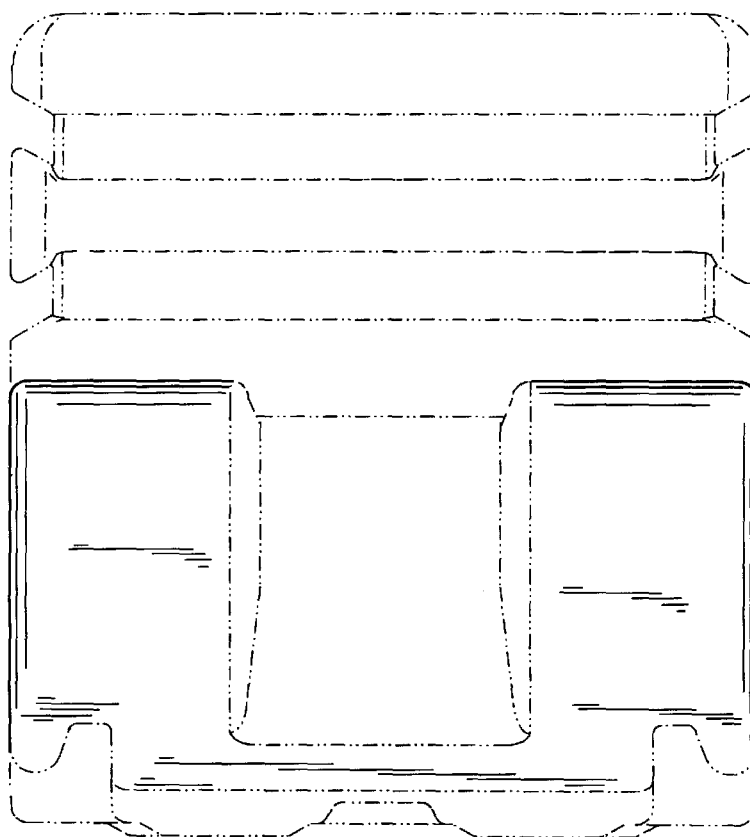


FIG. 4

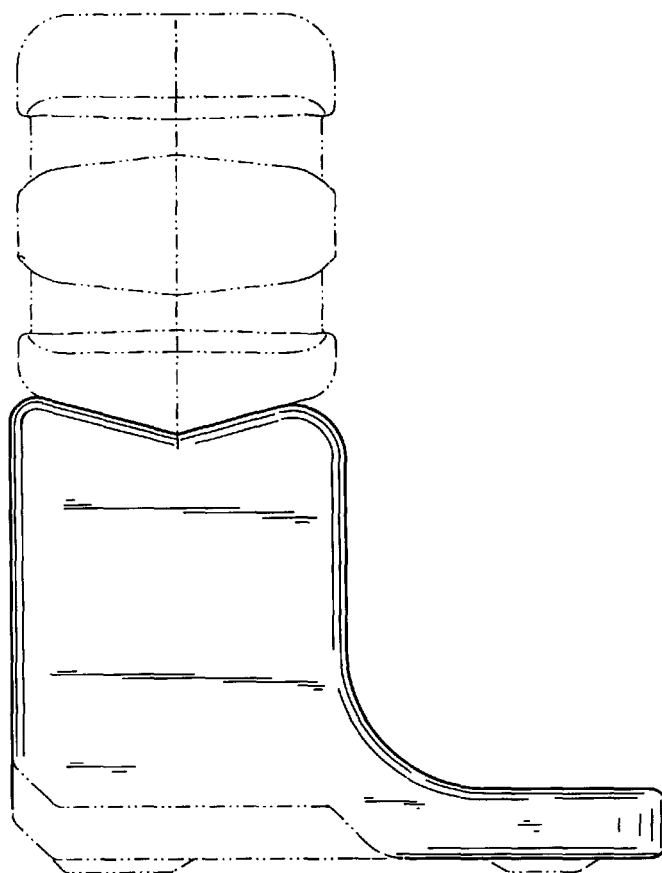


FIG. 5

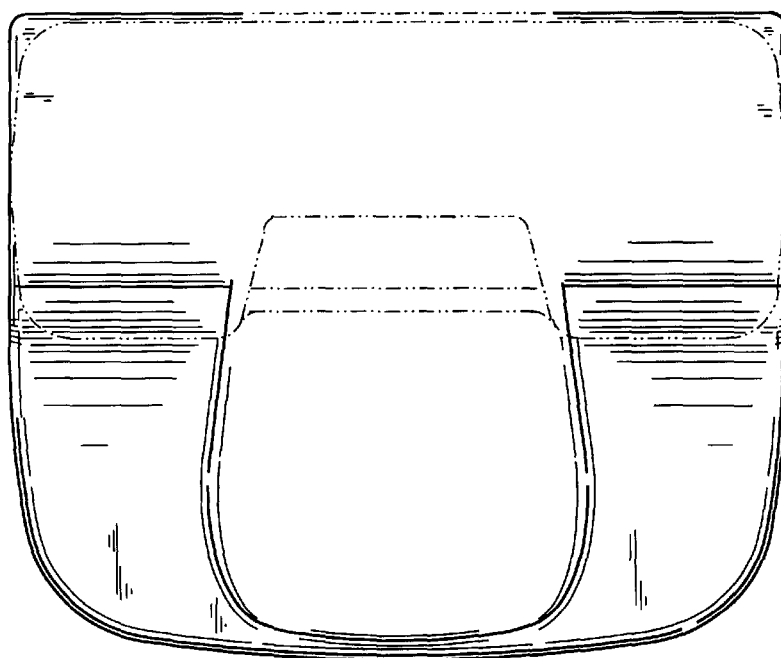


FIG. 6

